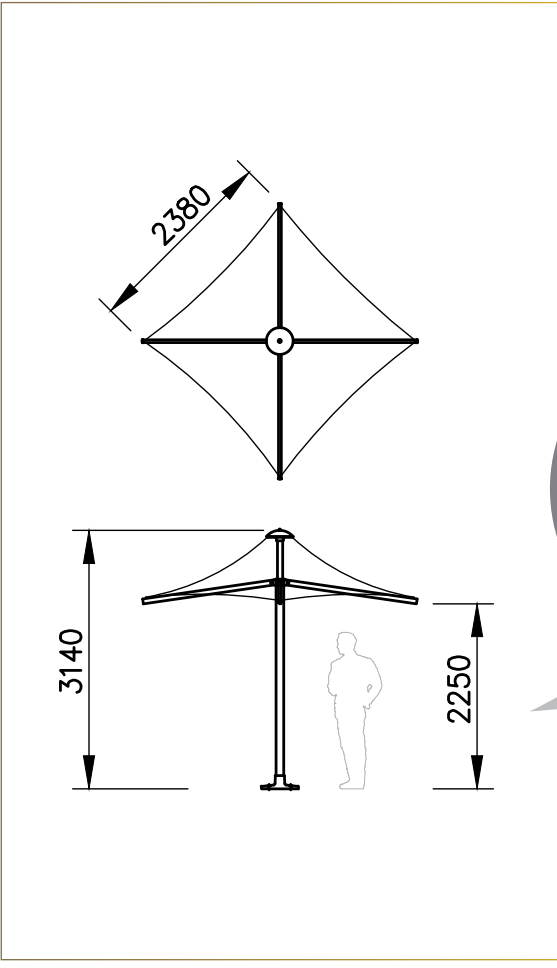


# HORIZON 2.4M SQUARE

STYLES AVAILABLE			WIND RATING		FRAME MATERIAL		COLUMN TYPE			FEATURES			PRICE		
SQUARE	HEXAGONAL	RECTANGULAR	148km/h CLOSED	112km/h OPEN	ALUMINIUM	STEEL	CENTRE COLUMN	CANTILEVERED	GAZEBO	PORTABLE	FIXED	RETRACTABLE	ENTRY LEVEL	STANDARD	PREMIUM

## H24S DIMENSIONS



**Designed with flexibility in mind, the Horizon range is ideal for Alfresco Dining, Resorts and Entertainment Venues. Available in several shapes with high corrosion resistance materials, a wide range of accessories and a W33 (112kph) wind rating, it's easy to see why the Horizon range is a favourite.**

- Available in square, hexagonal or rectangular shapes.
- 2.4m – 5.6m standard sizing.
- Made from a high tensile, corrosion resistant, structural alloy, powder coated to any colour in the Dulux/Interpon range.
- Low maintenance, translucent, heat reflective, UV treated and fully welded architectural grade PVC membrane available in a large variety of colours.
- Marine grade stainless steel catenary cable and fittings.
- 10 year frame anti-rust policy, 5 year structural warranty on the frame & minimum 5 year fabric manufacturer's warranty on the canopy.
- Engineer wind rated to 112 kph (W33).
- Accessory options include integrated PVC fabric curtains, rain diverters, link panels (to join umbrellas), corporate branding, down/up lights, heaters and speaker systems.



HORIZON 2.4M HEXAGONAL UMBRELLAS



HORIZON 3M SQUARE UMBRELLAS