



INSTANT SHADE UMBRELLAS

TULIP

Unique Design Umbrella

Architectural Design Structure

This sophisticated, stunning, German design structure enhances any outdoor setting. With optional lighting available, you can really make this shade solution stand out above the rest. Instant Shade are proud to use only the finest European fabrics on their umbrellas. Nothing on the market comes close to this stunning architectural design. Elegant and sturdy, this classical Tulip patio umbrella is an ideal choice for creating a special and sophisticated setting.

FRAME:

The robust frame structure is made of premium aluminum sections, which are connected to an impressive, heavy duty mast. The clever telescopic tubes enable easy opening and closing, while folding above your furniture to maximise space. The entire frame is extremely robust and powder coated for maximum appearance and durability.

MECHANICS:

- Fully integrated gearbox combined with a German engineered stainless steel spindle
- Removable winder handle acts as an anti-tampering device and enhances security
- Easy operation
- Highest grade stainless steel components

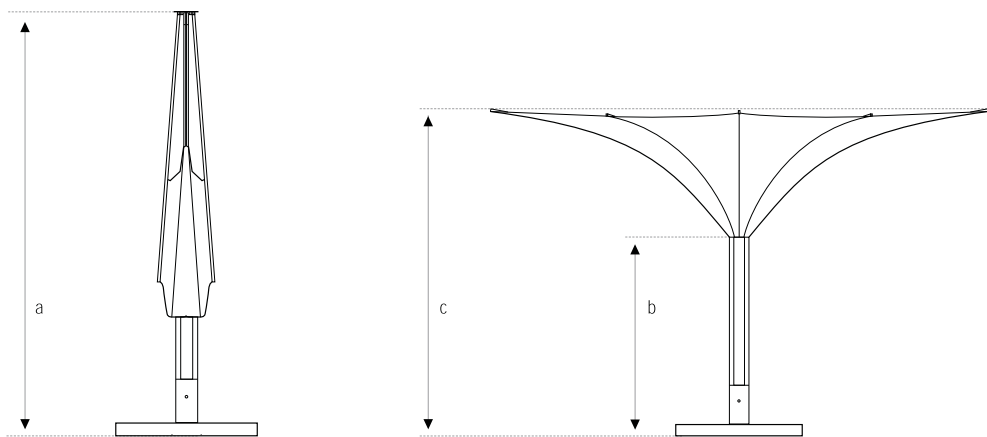
CANOPY:

- Choose from 100% Acrylic Canvas or Polyester
- Both are fade and rot resistant, extremely water repellent
- Velcroes opening in the canopy allows easy cleaning
- Wide range of colours available
- 5 Year Limited Manufacturers warranty on fabric



www.leoshade.com

FREECALL 13392861999



Umbrella sizes are in metres

*All measurements are rounded.



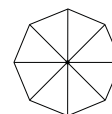
4 x 4



5 x 5



ø 5



ø 6

Weight

Umbrella including packaging [kg]	80	85	81	86
Umbrella excluding packaging [kg]	65	70	66	71
Umbrella frame [kg]	60	65	60	64
Umbrella canopy [kg]	5	5	6	7

Dimensions of closed umbrella

a: Closed height (cm)	435	435	435	475
b: Height of Plexiglas cover (cm)	215	202	202	209

Dimensions of open umbrella

c: Opened height (cm)	335	335	335	335
-----------------------	-----	-----	-----	-----

Packaging dimensions

Dimensions of cardboard packaging (cm)	45x45x4500	45x45x4500	45x45x4500	45x45x4750
--	------------	------------	------------	------------

Accessories

Hinged adapter (*1) included	Type 100	Type 100	Type 100	Type 100
Use with one of the following:				
Movable base (*2) 8 pavers 50x50x	-	-	-	Double Stack
Inground fitting (*3)	Type 100E	Type 100E	Type 100E	Type 100E
Base plate (*4)	Type 100/200	Type 100/400	Type 100/200	Type 100/400
Cover bag	XL	XL	XL	XL
Lighting	4x8W	4x8W	4x8W	4x8W



Pricing starts from: \$6995 \$7995 \$7295 \$8995

